

UTP7204GE



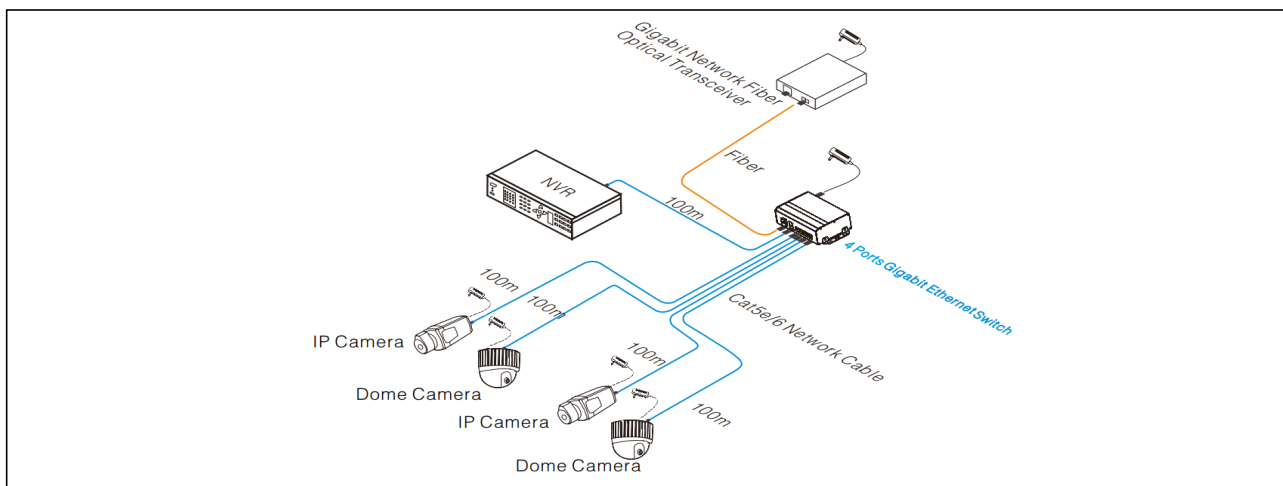
- Standard: IEEE802.3 ,IEEE802.3u,IEEE802.3ab,IEEE802.3z
- Provide 2 optical and 2 Ethernet uplink ports, wherein 1 optical port and 1 Ethernet port are Combo ports
- Provide 4x10/100/1000 Mbps adaptive downlink ports,
- Support port(Auto MDI/MDIX)function
- Standard DC port and green terminal port, support power adapter with different connectors and power
- Redundant power design, support power hot backup
- Fanless wavy metal shell with heat dissipation design
- Fast installation and easy operation, convenient for wall, din rail and desktop installation



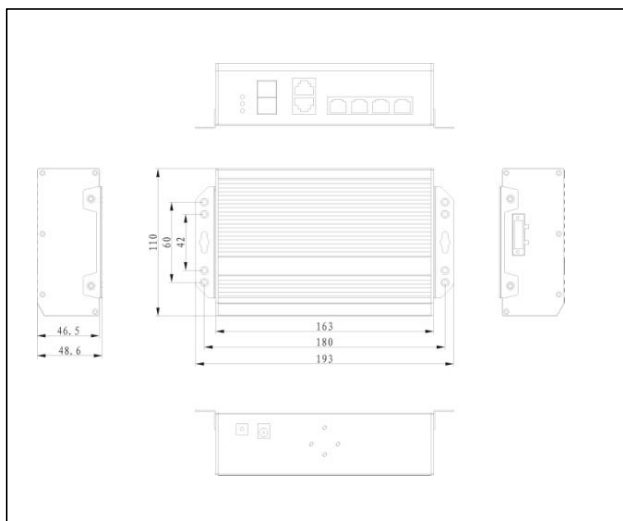
Introduction

4 ports Gigabit Ethernet switch is an unmanaged Ethernet switch, which provides 2 optical, 2 Ethernet uplink ports and 4 Gigabit downlink Ethernet ports, wherein 1 optical and 1 Ethernet port are Combo ports. The product could satisfy 32-channel IPC small convergence system application and is widely used in security network video surveillance, network engineering and other occasions.

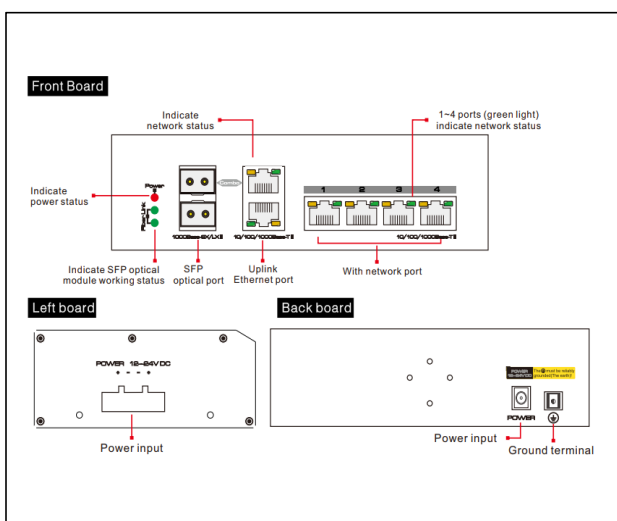
Application



Physical Features



Interface drawing



Specification

Model	UTP7204GE
Downstream Ports	4* 10/100/1000Base-T
Uplink Ports	2*1000Mbps SFP Port and 2*10/100/1000Base-T
Network Standard	IEEE802.3 , IEEE802.3u , IEEE802.3ab , IEEE802.3z , IEEE802.3x
Switch Capacity	17.5Gbps
Throughput	10.4Mpps
Switch Processing Scheme	Store and Forward
Memory Buffer	1M
MAC Table	8K
Lightning protection	6KV Execute : IEC61000-4-5
ESD	6KV Contact discharge 8KV Air discharge Execute : IEC61000-4-2
Power Supply	DC 12V~24V
Power Dissipation	<6W
Work temperature	-40°C~75°C
Storage temperature	-40°C~85°C
Humidity(Non-condensin)	5%-95%
Dimension (L×W×H)	163mm×110mm×46mm
Weight	530g
Regulator	CE、FCC、ROHS

Package List

Designation	Quantity
UTP7204GE	1
Power Adapter	1
Hanger	2
Din rails hanger	1
User Manual	1

Related Products

Designation	Model
Industrial 4 Ports Fast Ethernet Switch	UTP7204E-A1
Industrial 8 Ports Fast Ethernet Switch	UTP7208E-A1